

Specifications

Sensor performance	
Wavelength range	750–1700 nm (settable in 5 nm steps)
Photodetector	InGaAs (1 mm ϕ)
Power range	-70 to +10 dBm
Accuracy ¹⁾	$\pm 5\%$
Optical connector	Connector adapter (optional)
Applicable fibers type	SM (9/125 μ m), GI (50/125 μ m), GI (62.5/125 μ m)
Powermeter performance and functions	
Display	7 segments, 4 digits, back light
Display resolution	0.01
Displayed units	Absolute values: dBm, mW, μ W, nW Relative values: dB
Calibration coefficient	Sensor wavelength sensitivity correction (5 nm steps)
Range switching	Automatic
Measurement mode	Switches between CW light and CHOP light (270 Hz, 1 kHz, 2 kHz)
Measurement interval	Approximately 330 ms
Relative value measurement	Relative value measurement relative to a set reference value Relative value measurement based on a displayed measurement
Backlight	Turns on while backlight key is pressed, and stays on for approximately 5 seconds after backlight key is pressed
Memory function	Stores/deletes measurement records and measurement values in 1000-record standard memory and 100-record user memory
Interface	USB
Resume function	Resumes operation with settings which were active at preceding power-off
Power saving	Power turns off automatically when there is no key input for approximately 10 minutes (this function can be disabled)
Battery check	Low-battery indicator
Power supply	Two AA batteries (alkaline dry cells or nickel metal-hydride rechargeable batteries) or optional AC adapter
Battery life ²⁾	Approximately 40 hours (as measured using alkaline dry cells, at 25°C with CW light input)
Environmental conditions	Operating temperature range: 0°C to +50°C Storage temperature range: -25°C to +70°C Relative humidity: 80% or less (no condensation)
Weatherproofing	Conforms to JIS C 0920 weatherproofing TYPE I
Dimensions and weight	70 (W) \times 152 (H) \times 32 (D) mm Approximately 250 g
Included accessories	Two alkaline batteries, neck strap, carrying pouch, user's manual, USB application software (CD-ROM)
Safety/EMC	Conforms to EN61010 (safety) and EN61326 (EMC)

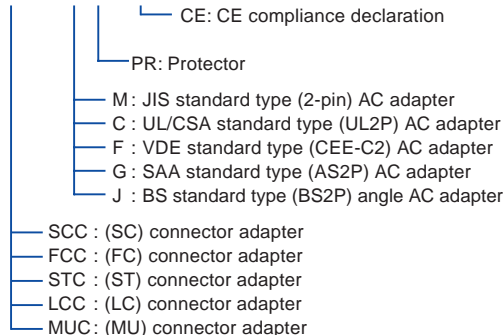
Note 1: Ta=23 \pm 5°C, reference conditions (1310 nm, -20 dBm, using SM fiber)
Note 2: Varies depending on usage conditions and battery.

Model

Product name: AQ2160-02 Optical Powermeter

Model number:

SU1005A/□□□□□□□□



* Contact us if you have any questions.

Options

Product	Model number	Specifications
Connector adapter	SU2004A	-SCC SC
		-FCC FC
		-STC ST
		-LCC LC
		-MUC MU
Protective Holster	SU2002A	
AC adapter	SU2007A	-M JIS standard type (2-pin)
		-C UL/CSA standard type (UL2P)
		-F VDE standard type (CEE-C2)
		-G SAA standard type (AS2P)
		-J BS standard type (BS2P) angle
Soft carrying case	SU2006A	



*The photo shows all included accessories except for the CD-ROM and the user's manual.

Related Products



Optical Powermeter
AQ2160-01

Handheld powermeter for absolute value measurement only

LD light source (1310/1550 nm)

AQ4270-01

High-performance handheld light source capable of CHOP light output



OTDR
AQ7260

Measuring instrument for detecting damage points on optical fiber lines

TrafficTester/Mini
AE5501

Handheld tester for Ethernet line setup and maintenance



Caution

- If you plan to export this product outside of Japan, you may need approval from the Japanese government pursuant to the stipulations of the Foreign Exchange and Foreign Trade Control Law.
- In addition, this product is subject to restrictions under the United States Export Control Act, so export approval from the United States government may be required depending on the destination country.

YOKOGAWA

YOKOGAWA ELECTRIC CORPORATION
Communication & Measurement Business Headquarters /Phone: (81)-422-52-6768, Fax: (81)-422-52-6624
E-mail: tm@csv.yokogawa.co.jp

YOKOGAWA CORPORATION OF AMERICA Phone: (1)-301-916-0409, Fax: (1)-301-916-1498
YOKOGAWA EUROPE B.V. Phone: (31)-33-4641858, Fax: (31)-33-4641859
YOKOGAWA ENGINEERING ASIA PTE. LTD. Phone: (65)-62419933, Fax: (65)-62412606

Subject to change without notice.
[Ed : 02/b] Copyright ©2004
Printed in Japan, 412(KP)